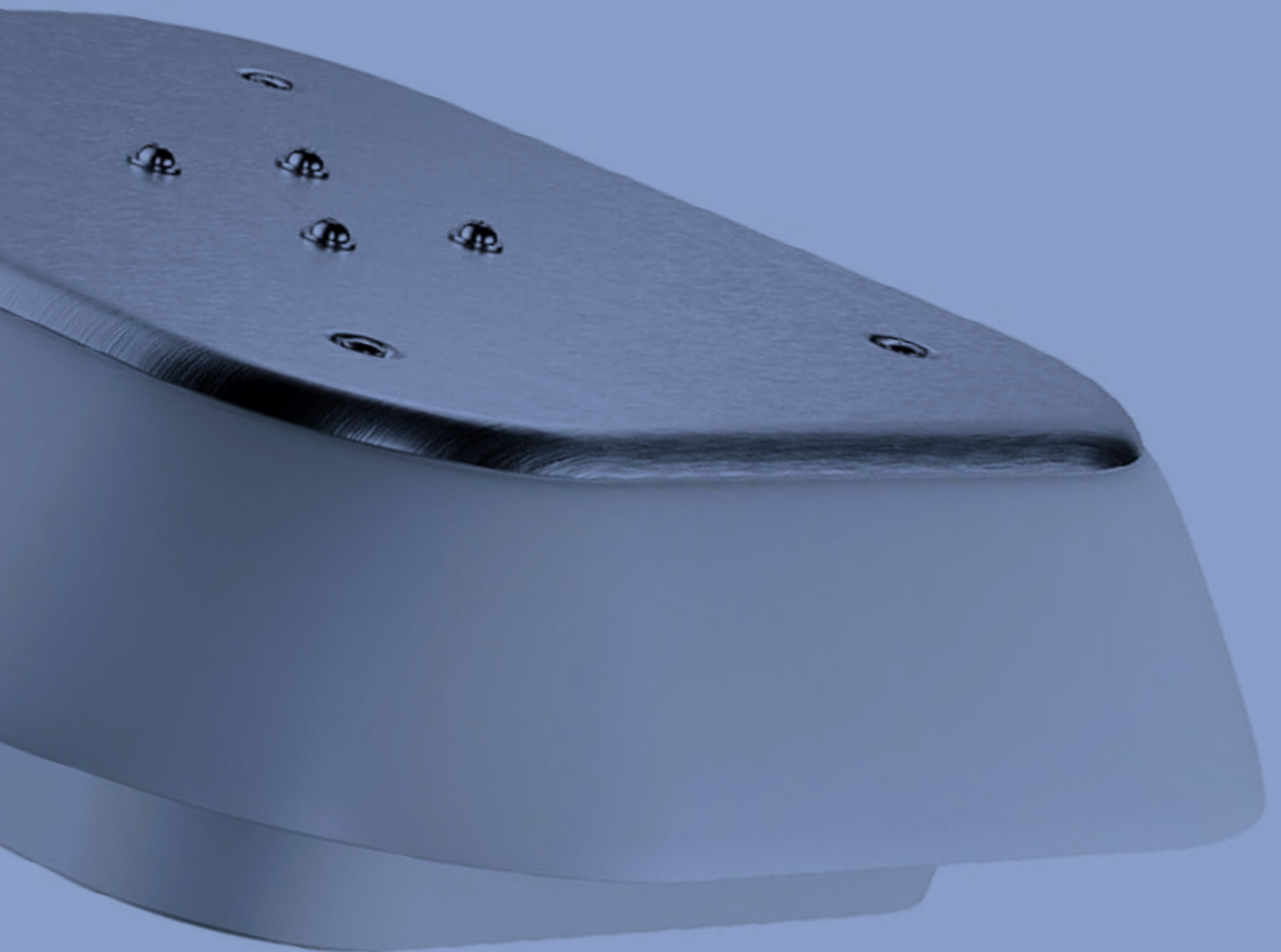


# AIR-CONDITIONING SYSTEMS, VENTILATION AND OTHER ACCESSORIES

Solutions for customised designs produced to customer specifications and requirements, guaranteeing correct functioning of components installed inside electrical enclosures.



## AIR CONDITIONING

---

- 150 WALL AND DOOR-MOUNTED AIR CONDITIONERS  
**SERIES KCVE**
  
- 152 **MODEL KCVE05**
- 153 **MODEL KCVE08**
- 154 **MODEL KCVE15**
- 155 **MODEL KCVE20**
- 156 TOP-MOUNTED AIR-CONDITIONERS  
**SERIES KETE**
- 157 **MODEL KETE09**
- 157 **MODEL KETE14**

## VENTILATION

---

- 158 **FILTER GROUP**  
SERIES KFF
  
- 163 **TOP-MOUNTED FAN UNIT**  
SERIES KTP
- 164 **AXIAL VENTILATION**  
SERIES S
- 166 **ANTI-CONDENSATION HEATERS**
- 168 **THERMOSTATS**
- 169 **SENSIS**  
SERIES KSNS
- 170 **THERMOELECTRIC UNITS**  
SERIES KTCU

## OTHER ACCESSORIES

---

- 172 **ARMS**
- 176 **LED DEVICES**
- 178 **OTHER ACCESSORIES**



## EXPRESS WAREHOUSE

---

Committed to also supporting customers with unexpected requirements, IRINOX has developed an additional service to optimise supply times.

To consult the wide range of items available in the IRINOX warehouse, including all accessories for AIR-CONDITIONING and VENTILATION SYSTEMS

→ **GO TO PAGE 182**

## WALL AND DOOR-MOUNTED AIR CONDITIONERS **SERIES KCVE**

**Exterior cover:** as standard in AISI 304 (Wnr 1.4301) stainless steel/  
on request in AISI 316 (Wnr 1.4404) stainless steel

**Rear panel and internal structure in FeZn**

**Refrigeration capacity:** 550/2000 W

**XCB electronic board + display:** new controller featuring electronic  
board located in evaporator compartment and display

**General-alarm and remote-control contacts as standard**

**General alarm with change-over contact**

Normally Open or Normally Closed

**Test/approval procedure activated from display**

**SMART ENERGY MANAGEMENT (SEM):** software control enabling  
turning off of fan/evaporator in presence of low internal temperature  
and period temperature control

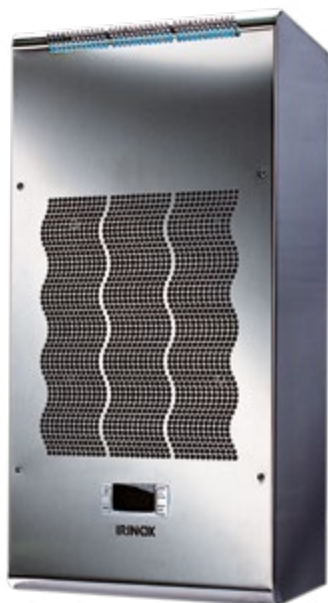
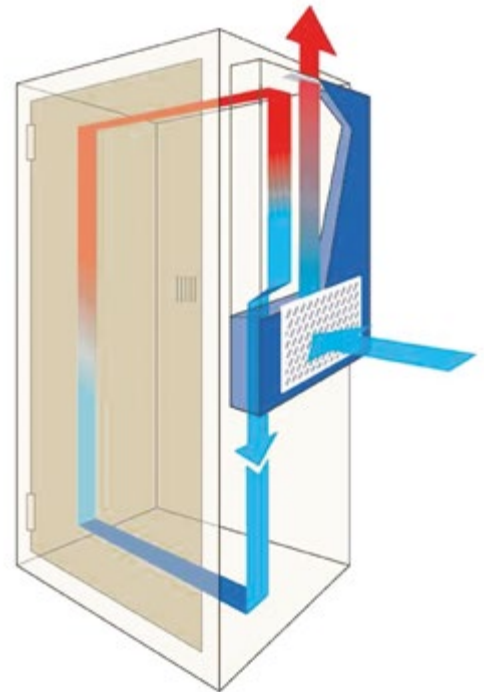
**Condenser and condensation dissipator:** from model KCV11

**Quick connections (CE version):** see next page

**Easy installation:** two inserts for easy positioning of unit on wall of  
electrical enclosure

**IP protection rating in accordance with EN 60529:**

External circuit IP34/Internal circuit IP54

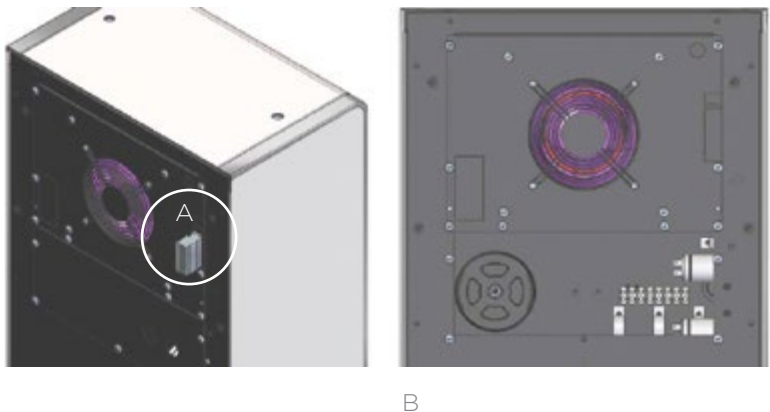


## DETAIL OF ELECTRICAL CONNECTIONS

Quick connection (WAGO connector) for CE models, new 9-pole connector in the upper part of the air conditioner.

A/WAGO connector.

B/Terminal-block connection at rear (inside) for UL Listed models.



## LIST OF MODELS

Code	Power W	Power supply V - ph - Hz
KCVE0500220800I	550/580	230 - 1 - 50/60
KCVE0800220800I	850/900	230 - 1 - 50/60
KCVE1500220800I	1500/1600	230 - 1 - 50/60
KCVE2000220800I	2100/2200	230 - 1 - 50/60
KCVE1500228800I	1400/1500	400 - 2 - 50/460 - 2 - 60
KCVE2000261800I	2000/2100	400 - 3 - 50/460 - 3 - 60

UL model codes	Power W	Power supply V - ph - Hz
KCVE05U120380	580	115 - 1 - 60
KCVE08U120380	900	115 - 1 - 60
KCVE15U120380	1600	115 - 1 - 60
KCVE20U126280	2100	400 - 3 - 50/460 - 3 - 60

## EXAMPLE OF ID PLATE SERIAL NUMBER



## CERTIFICATIONS - PROTECTION RATING

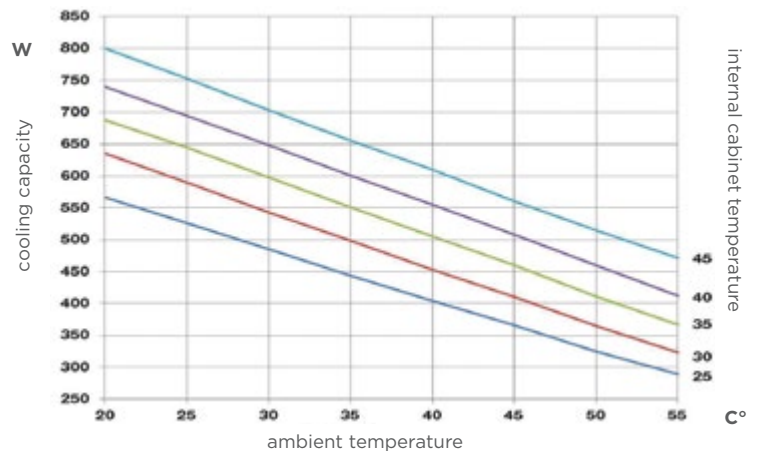
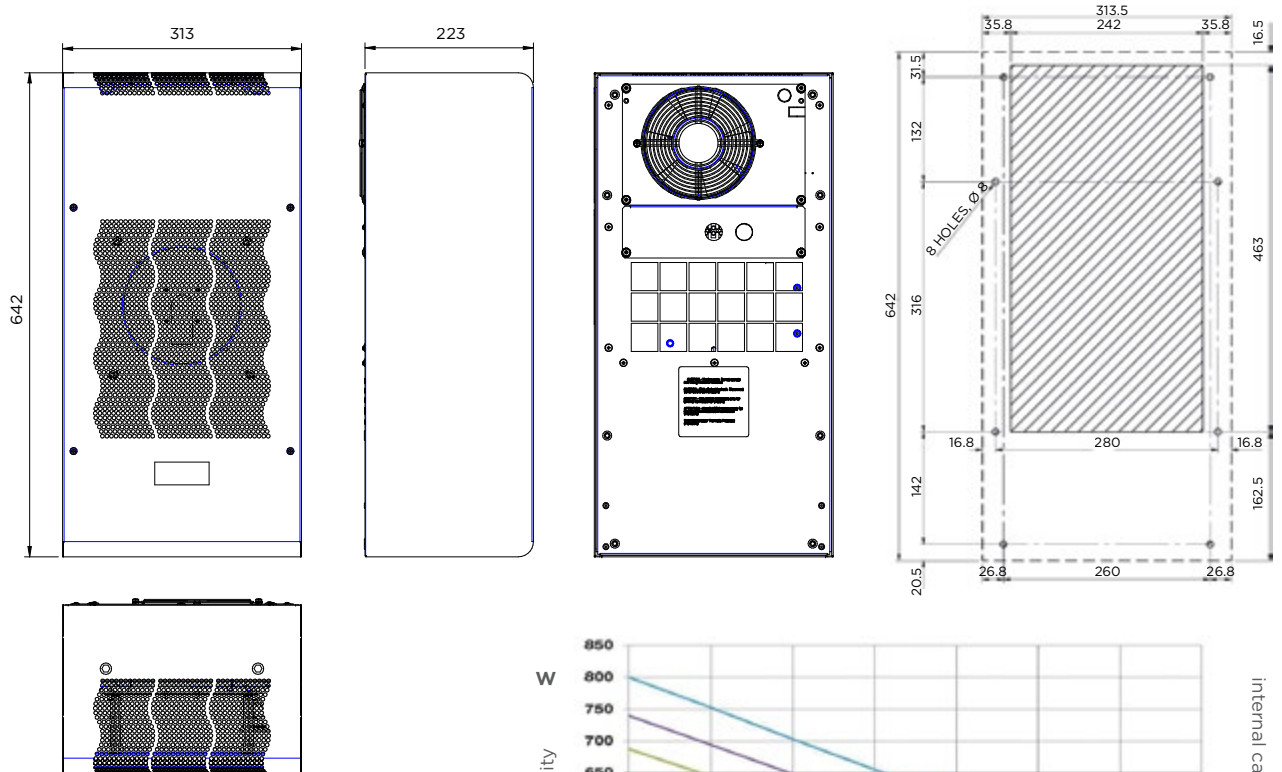
**The product is considered as a finished product**, and no longer as part of the system (UL recognised).

**Product with Listed status** saves time and money for subsequent approval procedures.

**NEMA Type 12 protection rating** for indoor use (models KCVE).

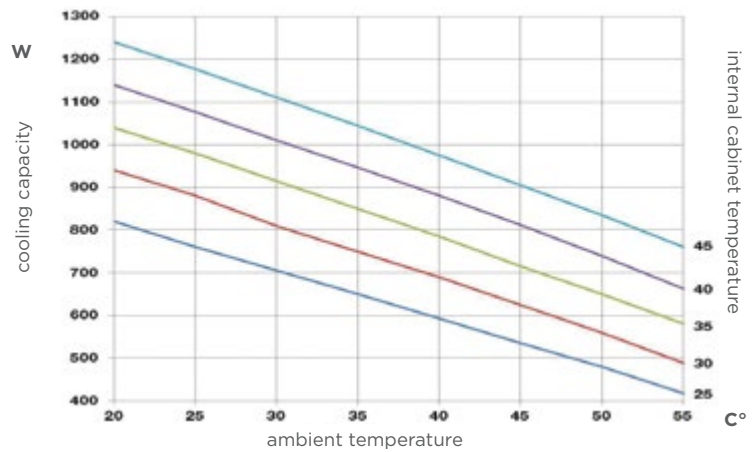
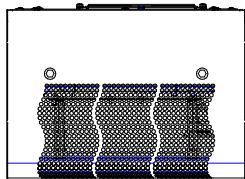
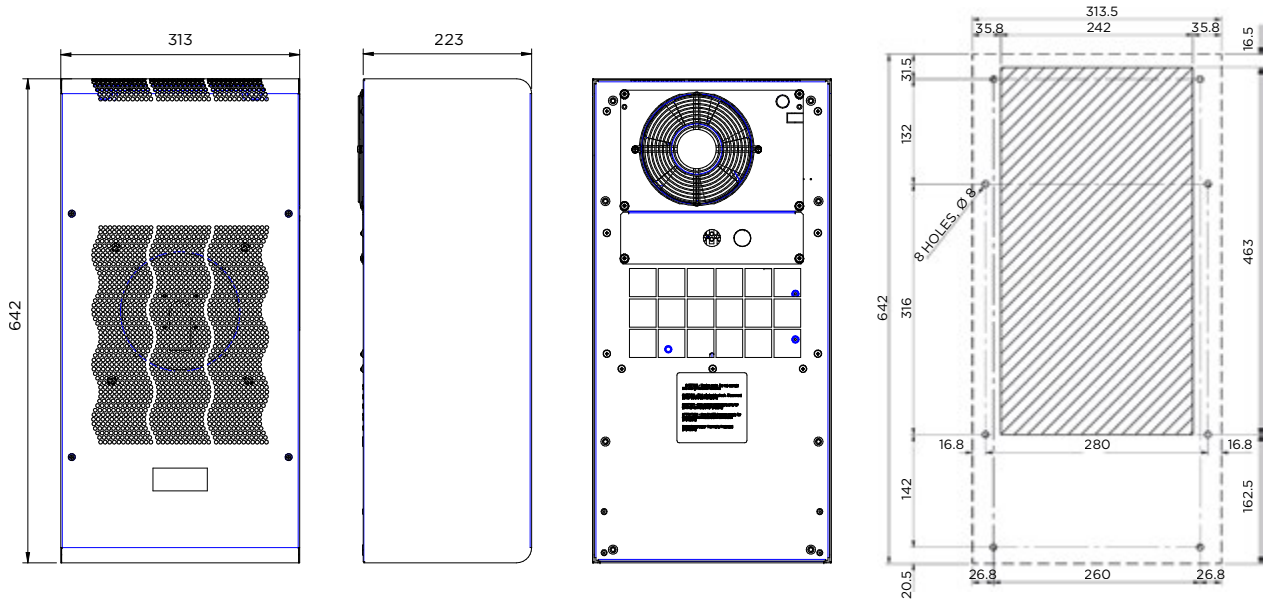


# WALL-MOUNTED AIR CONDITIONER MODEL KCVE05



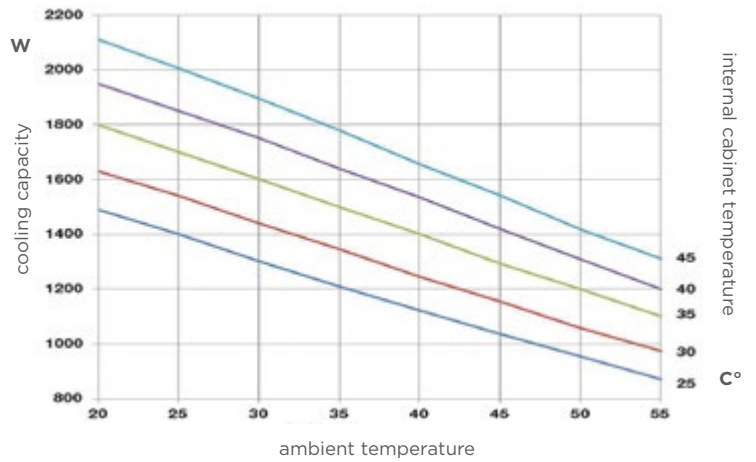
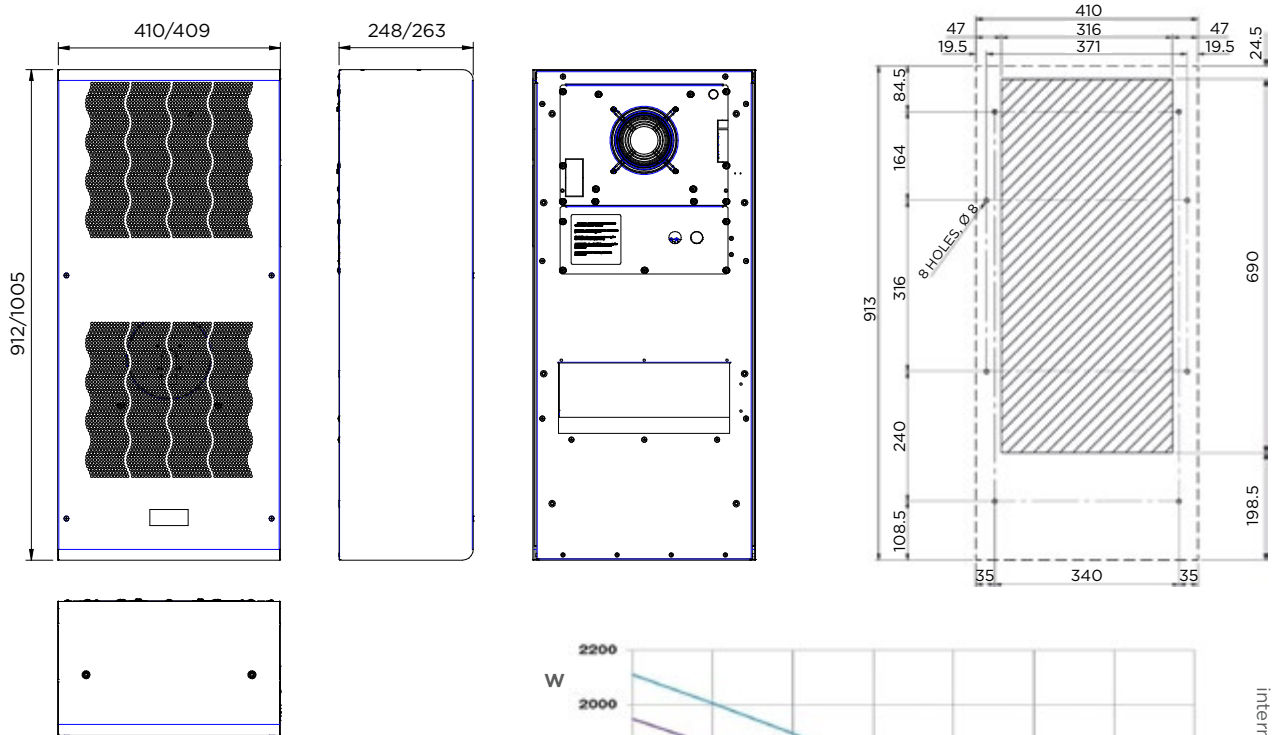
	Unit of measure	KCVE0500220800I	KCVE05U120380
Power supply	V - ph - Hz	230-1-50/60	115-1-60
Cooling power L35L35	W	550 - 580	580
Cooling power L35L50	W	410 - 430	430
Height/Width/Depth	mm	642 x 313 x 223	642 x 313 x 223
Max. current, operational	A	1.4/1.6	4.7
Current absorbed on start-up	A	7.5	17
T fuse	A	4	15
Power absorbed L35L50	W	320 - 390	390
Cabinet ventilation air flow	m <sup>3</sup> /h	164 - 195	195
Temperature regulation limits	°C	+25/+45	+25/+45
Temperature limits, ambient side	°C	+20/+55	+20/+55
Cabinet-side protection	IP/Type	54/ -	- / 12
Noise	dB(A)	61	61
Weight	kg	23	23

# WALL-MOUNTED AIR CONDITIONER MODEL KCVE08



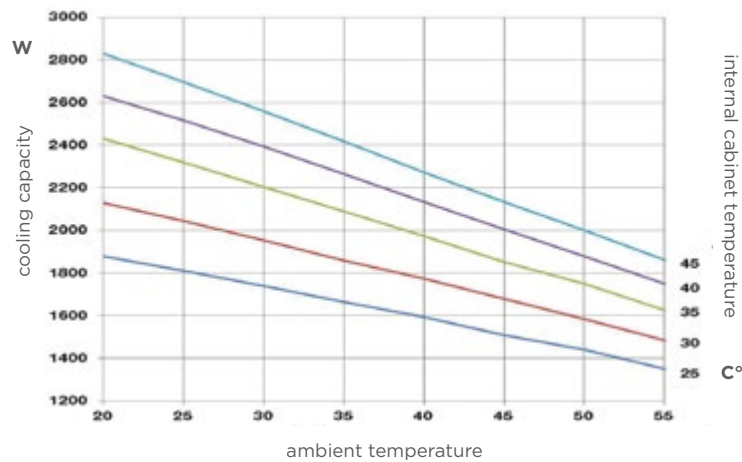
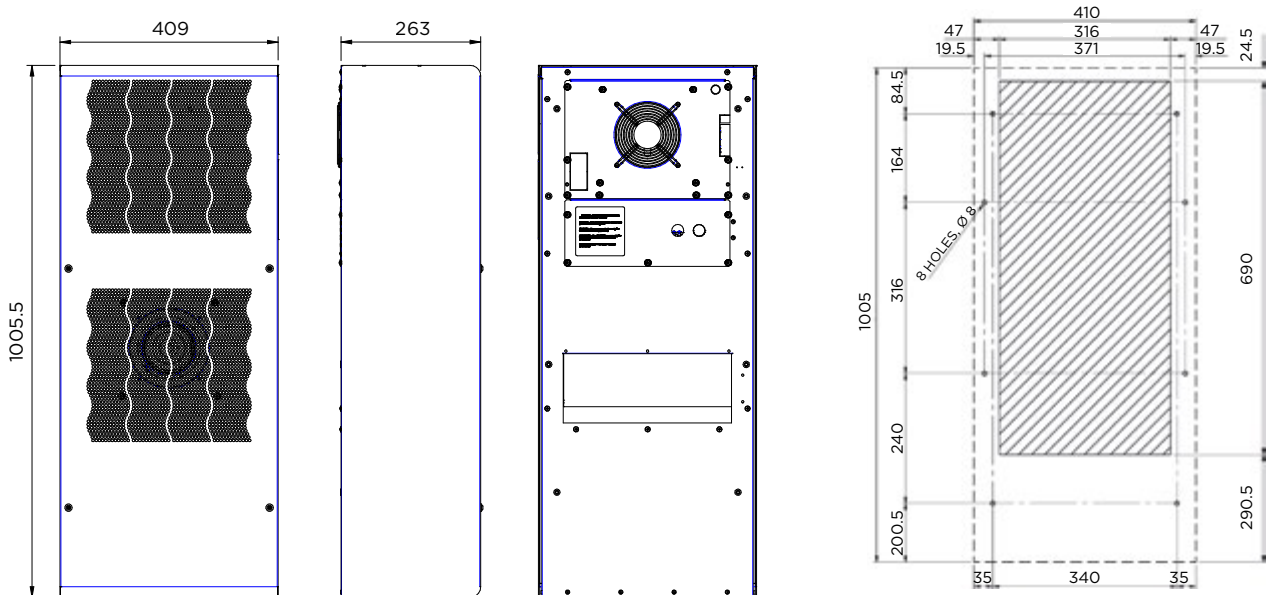
	Unit of measure	KCVE0800220800I	KCVE08U120380
Power supply	V - ph - Hz	230-1-50/60	115-1-60
Cooling power L35L35	W	850-900	900
Cooling power L35L50	W	620-700	700
Height/Width/Depth	mm	642 x 313 x 223	642 x 313 x 223
Max. current, operational	A	2.6/2.7	7.2
Current absorbed on start-up	A	20	28
T fuse	A	6	15
Power absorbed L35L50	W	420-600	600
Cabinet ventilation air flow	m <sup>3</sup> /h	340-356	390
Temperature regulation limits	°C	+25/+45	+25/+45
Temperature limits, ambient side	°C	+20/+55	+20/+55
Cabinet-side protection	IP/Type	54 / -	- / 12
Noise	dB(A)	64	64
Weight	kg	27	27

# WALL-MOUNTED AIR CONDITIONER MODEL KCVE15



	Unit of measure	KCVE1500220800I	KCVE1500228800I	KCVE15U120380
Power supply	V - ph - Hz	230-1-50/60	400-2-50/460-2-60	115-1-60
Cooling power L35L35	W	1500-1600	1400-1500	1600
Cooling power L35L50	W	1200-1280	1150-1200	1280
Height/Width/Depth	mm	912 x 410 x 248	912 x 410 x 248	912 x 410 x 248
Max. current, operational	A	3.9/4.3	2.5/2.6	9.4
Current absorbed on start-up	A	28	110	50
T fuse	A	8	6	15
Power absorbed L35L50	W	750-825	750-825	825
Cabinet ventilation air flow	m <sup>3</sup> /h	540-580	540-580	580
Temperature regulation limits	°C	+25/+45	+25/+45	+25/+45
Temperature limits, ambient side	°C	+20/+55	+20/+55	+20/+55
Cabinet-side protection	IP/Type	54 / -	54 / -	- / 12
Noise	dB(A)	65	65	65
Weight	kg	46	53	46

# WALL-MOUNTED AIR CONDITIONER MODEL KCVE20



	Unit of measure	KCVE2000220800I	KCVE2000261800I	KCVE20U126280
Power supply	V - ph - Hz	230-1-50/60	400-3-50/460-3-60	400-3-50/460-3-60
Cooling power L35L35	W	2100-2200	2000-2100	2100
Cooling power L35L50	W	1750-1850	1700-1800	1800
Height/Width/Depth	mm	1005 x 409 x 263	1005 x 409 x 263	1005 x 409 x 263
Max. current, operational	A	4.8/5.5	2.5/2.7	3.62
Current absorbed on start-up	A	34	22	22
T fuse	A	10	6	15
Power absorbed L35L50	W	1120-1240	1100-1200	1200
Cabinet ventilation air flow	m <sup>3</sup> /h	540-580	890-930	930
Temperature regulation limits	°C	+25/+45	+25/+45	+25/+45
Temperature limits, ambient side	°C	+20/+55	+20/+55	+20/+55
Cabinet-side protection	IP/Type	54 / -	54 / -	- / 12
Noise	dB(A)	69	69	69
Weight	kg	48	48	48



# TOP-MOUNTED AIR CONDITIONERS SERIES KETE

## Top-mounted air conditioners

**Exterior cover:** as standard in AISI 304 (Wnr 1.4301) stainless steel /  
on request in AISI 316 (Wnr 1.4404) stainless steel

**Rear panel and internal structure in FeZn**

**ECB digital thermostat**

**Condensation dissipator:** on model KETE140022870

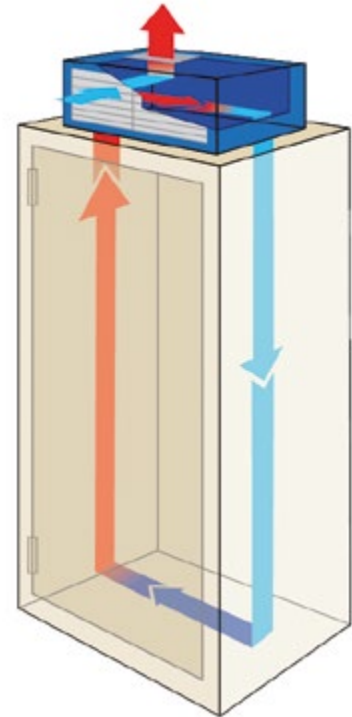
**Condensation-tank-full alarm contact:**  
on model KETE090122070

**Quick connections:** (CE version) with 9-pole connector

**Option to invert thermostat position:**  
for model KETE140022870

**General-alarm and remote-control contacts**

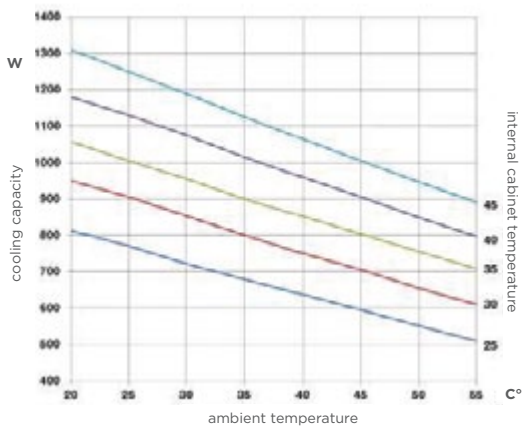
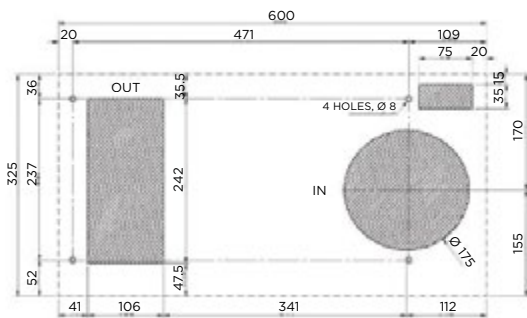
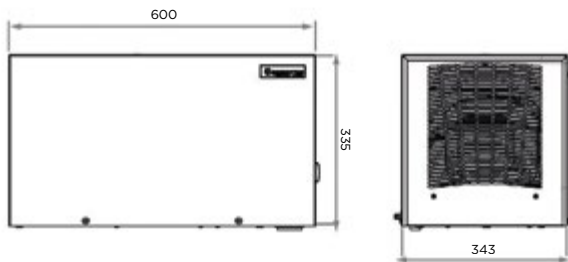
**IP protection rating in accordance with EN 60529:**  
External circuit IP34/Internal circuit IP54



## LIST OF MODELS

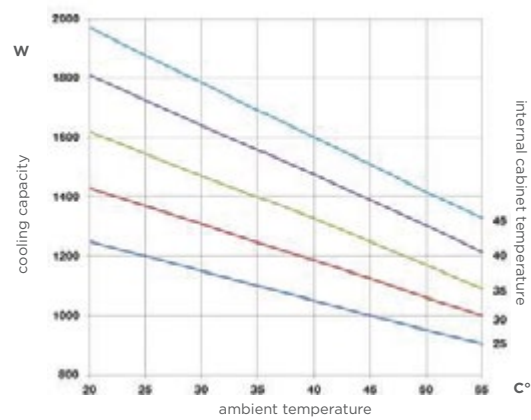
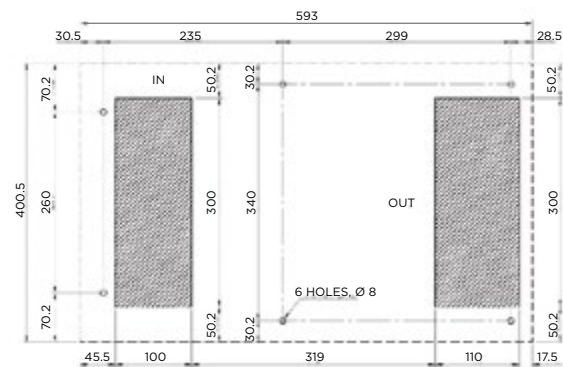
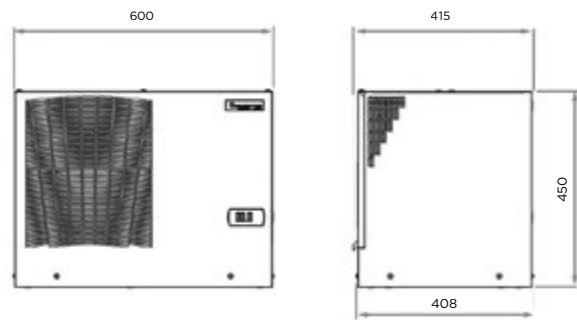
Code	Power W	Power supply V - ph - Hz
KETE09012207001	900	230 - 1 - 50/60
KETE14002287001	1400	400 - 2 - 50/460 - 2 - 60

# TOP-MOUNTED AIR CONDITIONER MODEL KETE09



	Unit of measure	KETE09012207001
Power supply	V - ph - Hz	230-1-50/60
Cooling power L35L35	W	900
Cooling power L35L50	W	760
Height/Width/Depth	mm	335x600x325
Max. current, operational	A	3.2
Current absorbed on start-up	A	15
T fuse	A	6
Power absorbed L35L50	W	630
Cabinet ventilation air flow	m <sup>3</sup> /h	575
Temperature regulation limits	°C	25/45
Temperature limits, ambient side	°C	20/55
Cabinet-side protection	IP/Type	54
Noise	dB(A)	67
Weight	kg	31.5

# TOP-MOUNTED AIR CONDITIONER MODEL KETE14



	Unit of measure	KETE14002287001
Power supply	V - ph - Hz	400-2-50 460-2-60
Cooling power L35L35	W	1400
Cooling power L35L50	W	1170
Height/Width/Depth	mm	450x600x400
Max. current, operational	A	2.8
Current absorbed on start-up	A	31
T fuse	A	10
Power absorbed L35L50	W	950
Cabinet ventilation air flow	m <sup>3</sup> /h	575
Temperature regulation limits	°C	25/45
Temperature limits, ambient side	°C	20/55
Cabinet-side protection	IP/Type	54
Noise	dB(A)	58
Weight	kg	53